

Vertiv™ Hail Guard Kit for CoolPhase Condensing Units of 3.5, 7 and 11 kW



For Part Numbers: CUHAILGRD-03, CUHAILGRD-07 and CUHAILGRD-11.

Quick Installation Guide

Safety Instructions: Read these instructions before and during installation process. Keep this document after installation.

Hail Guards protect the coil against hail produced during storms. This accessory should be added when the unit is in a place with extreme hail weather conditions.

The following tools/equipment are required for the kit installation to the Unit:

- Screwdriver, for screw tightening and securing them to the condenser.
- Safety Gloves, for personal protection during installation.

Kit Components

Item	Description	Qty.
1	Side Hail Guard	1
2	Back Hail Guard	1

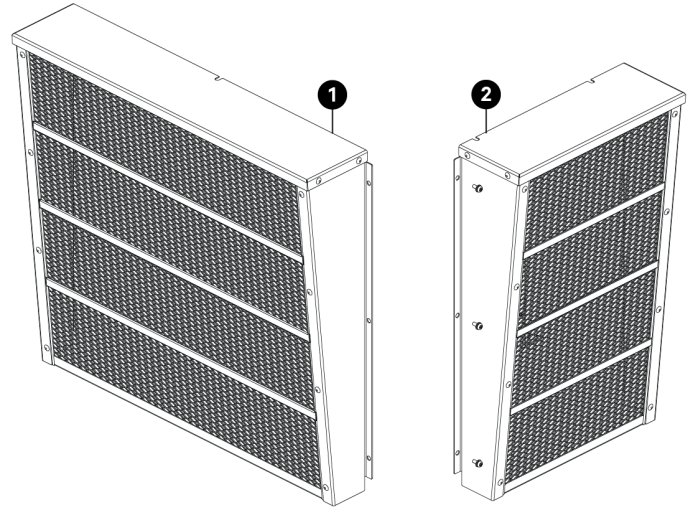
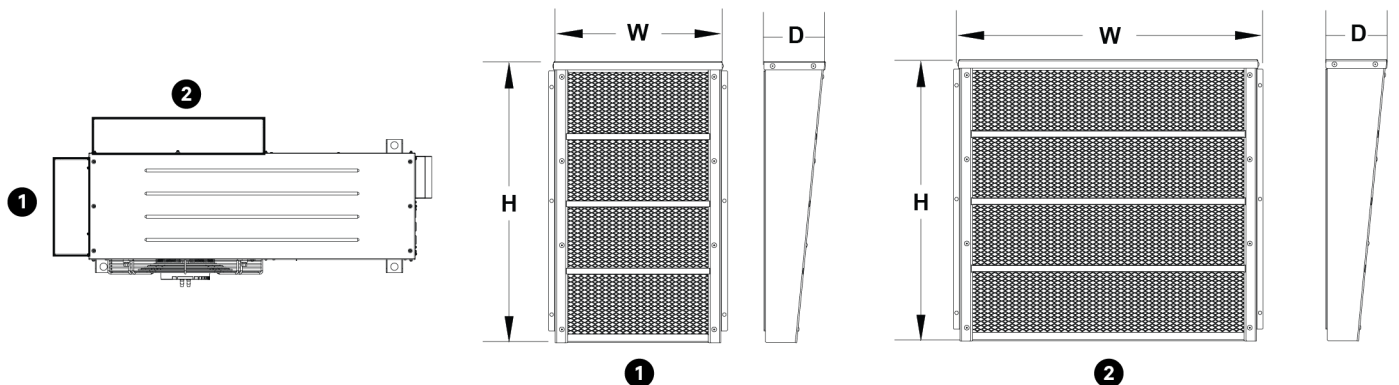


Figure 1. Hail Guard Kit components.

Specifications and Compatibility

SKU	Description	Hail Guard Dimensions (Width x Depth x Height) in(mm)		Compatible Condensing Unit Model
		Side Hail Guard	Back Hail Guard	
CUHAILGRD-03	Hail Guards for 3.5 kW Units	11.3 x 4.1 x 18.9 (288.8 x 105.3 x 482.2)	20.1 x 4.1 x 18.9 (512.8 x 105.3 x 482.2)	CUD030 CUL030
CUHAILGRD-07	Hail Guards for 7 kW Units	15.2 x 4.1 x 18.9 (388.6 x 105.3 x 482.2)	27.3 x 4.1 x 18.9 (695.8 x 105.3 x 482.2)	CUD070 CUL070
CUHAILGRD-11	Hail Guards for 11 kW Units	19 x 4.1 x 21.6 (484.6 x 105.3 x 549.4)	36 x 4.1 x 21.6 (914.8 x 105.3 x 549.4)	CUD111 CUL111 CUD115 CUL115

Figure 2. Hail Guard Kit dimensions and location.



Item	Description	Item	Description
1	Side Hail Guard	2	Back Hail Guard

Vertiv™ Hail Guard Kit for CoolPhase Condensing Unit of 3.5, 7 and 11 kW



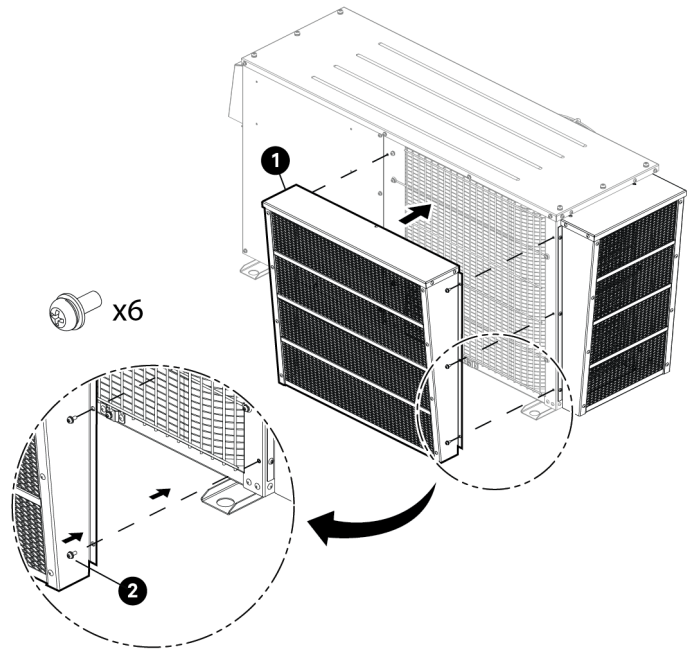
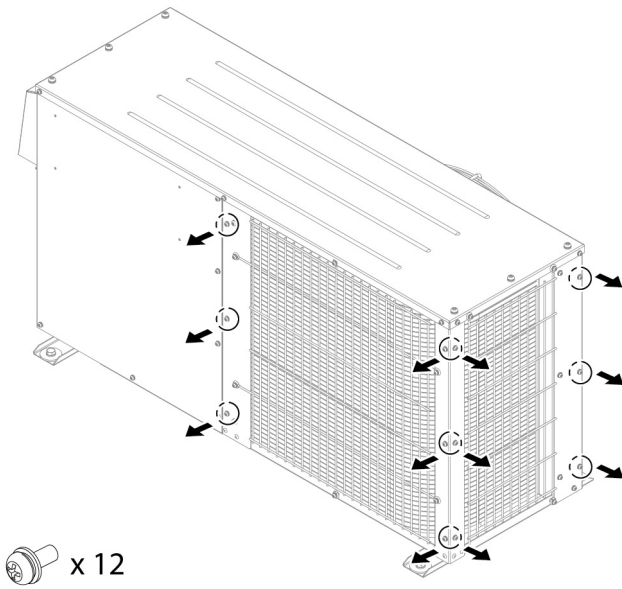
For Part Numbers: CUHAILGRD-03, CUHAILGRD-07 and CUHAILGRD-11.

Quick Installation Guide

Installation Procedure

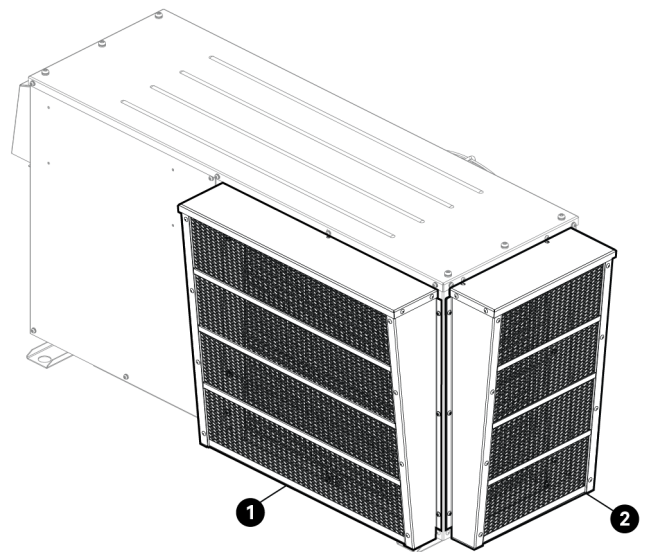
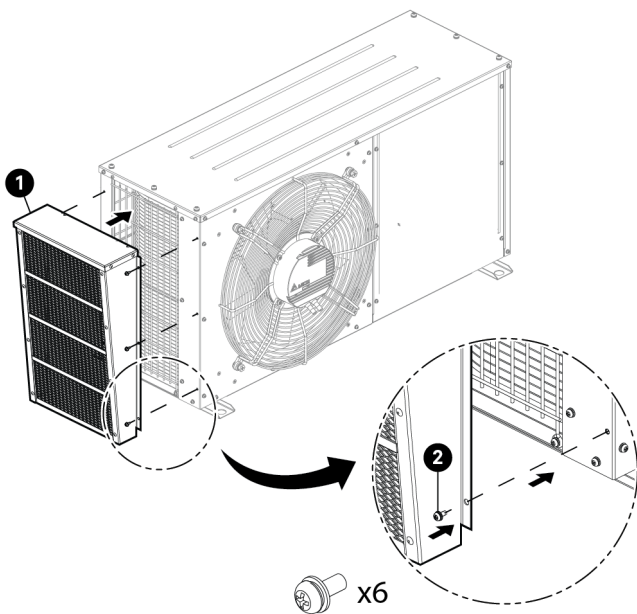
1. The twelve M4 screws needed are already attached on the Condensing Unit, in the location shown below. Remove them before the Hail Guard kit installation.

3. Repeat the same procedure with the Back Hail Guard (1) using the 6 M4 screws (2) placed on the back of the unit.



2. Place the Side hail guard (1) on the left side of the unit, locate the corresponding screw location that matches with the holes of the guard, then tighten the six M4 screws (2) using a screwdriver.

4. After installing both items (1, 2), proceed with the Unit installation process indicated in the User Manual.



Vertiv™ Hail Guard Kit for CoolPhase Condensing Unit of 3.5, 7 and 11 kW



For Part Numbers: CUHAILGRD-03, CUHAILGRD-07 and CUHAILGRD-11.

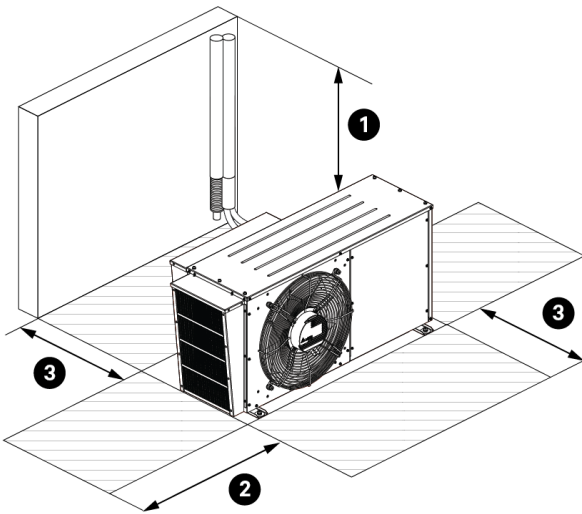
Quick Installation Guide

Installation Considerations

Clearance requirements

The following guidelines are needed to ensure optimal airflow, performance and maintenance to the unit while having the Hail Guards installed:

- 1- Top: 11.81 in (300 mm) clearance.
- 2- Sides: 23.62 in (600 mm) clearance.
- 3- Front/Back: 11.81 in (300 mm) clearance.



DO NOT install this kit in the following scenarios:

Low Hail Risk Areas

- In regions where hailstorms are extremely rare or nonexistent.

Protected Location

- A hail guard may not be needed if the condensing unit is already sheltered (e.g., under an overhang, inside a well-protected enclosure, or in a covered area).

NOTE: With the Hail Guard kit installed, the maximum ambient air temperature is 118.4°F (48°C), but cooling capacity will be reduced by 2% in high ambient temperatures.

NOTE: If both the Hail Guard and Wind Baffle kits are installed, the maximum ambient air temperature is 118.4°F (48°C), but the cooling capacity decreases by approximately 3.5%.



To contact Vertiv Technical Support: visit www.Vertiv.com

© 2025 Vertiv Group Corp. All rights reserved. Vertiv™ and the Vertiv logo are trademarks or registered trademarks of Vertiv Group Corp. All other names and logos referred to are trade names, trademarks or registered trademarks of their respective owners. While every precaution has been taken to ensure accuracy and completeness here, Vertiv Group Corp. assumes no responsibility, and disclaims all liability, for damages resulting from use of this information or for any errors or omissions.

