

Vertiv™ Wind Baffle Kit for CoolPhase Condensing Units of 3.5, 7 and 11 kW



For Part Numbers: CUWINDKIT-03, CUWINDKIT-07 and CUWINDKIT-11.

Quick Installation Guide

Safety Instructions: Read these instructions before and during installation process. Keep this document after installation.

NOTE: Low ambient versions of the CoolPhase Condensing Unit do not require this accessory.

NOTE: With the wind baffle, the unit operation temperature range is -4°F ~ 113°F (-20°C ~ 45°C)

The wind baffle allows Coolphase Condensing Unit operation at lower ambient outdoor temperature.

The following tools/equipment are required for the kit installation to the Unit:

- Screwdriver, for screw tightening and securing them to the Condensing Unit.
- Safety Gloves, for personal protection during installation.

Kit Components

Item	Description	Qty.
1	Front panel	1
2	Side panel	2
3	M4 Screws	4

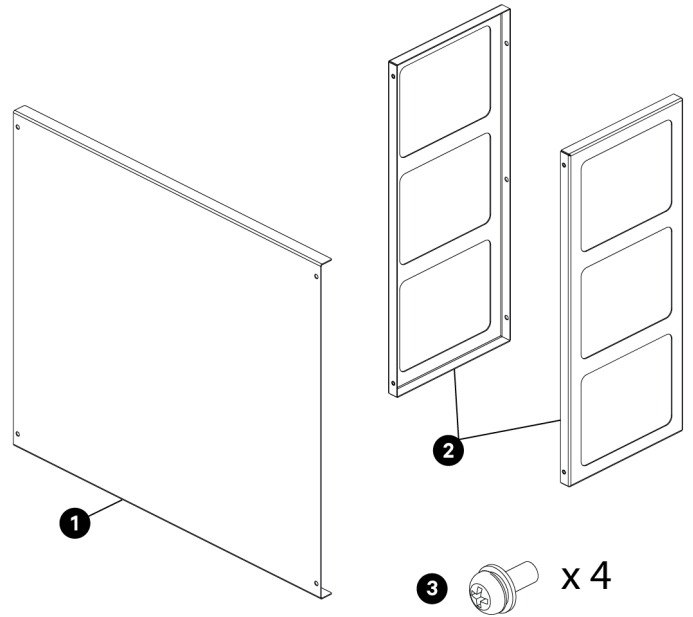
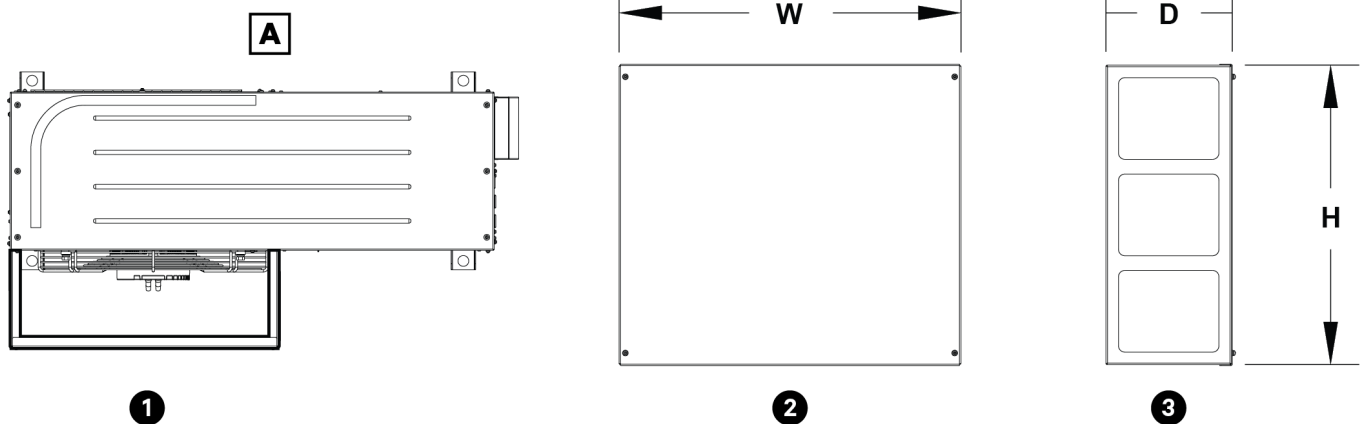


Figure 1. Wind Baffle Kit components.

Specifications and Compatibility

SKU	Description	Wind Baffle Dimensions (Width x Depth x Height) in (mm)	Compatible Condensing Unit Model
CUWINDKIT-03	Wind Baffle for 3.5 kW Units	214 x 7.9 x 18.78 (544.8 x 201.2 x 480)	CUD030
CUWINDKIT-07	Wind Baffle for 7 kW Units	24.9 x 7.9 x 18.8 (633.8 x 201.2 x 480)	CUD070
CUWINDKIT-11	Wind Baffle for 11 kW Units	32.1 x 7.9 x 21.5 (815.8 x 201.2 x 548.6)	CUD111 CUD115

Figure 2. Wind Baffle dimensions and location.



Item	Description	Item	Description
A	Unit Top view	2	Wind Baffle Front View
1	Wind Baffle location	3	Wind Baffle Side View

Vertiv™ Wind Baffle Kit for CoolPhase Condensing Unit of 3.5, 7 and 11 kW

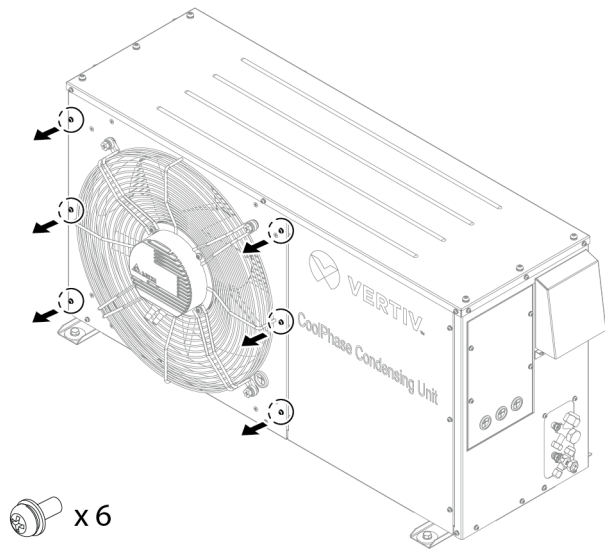


For Part Numbers: CUWINDKIT-03, CUWINDKIT-07 and CUWINDKIT-11.

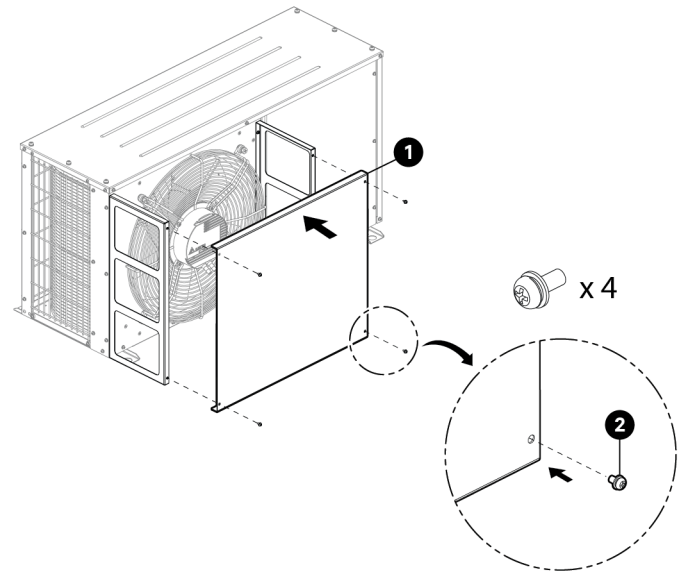
Quick Installation Guide

Installation Procedure

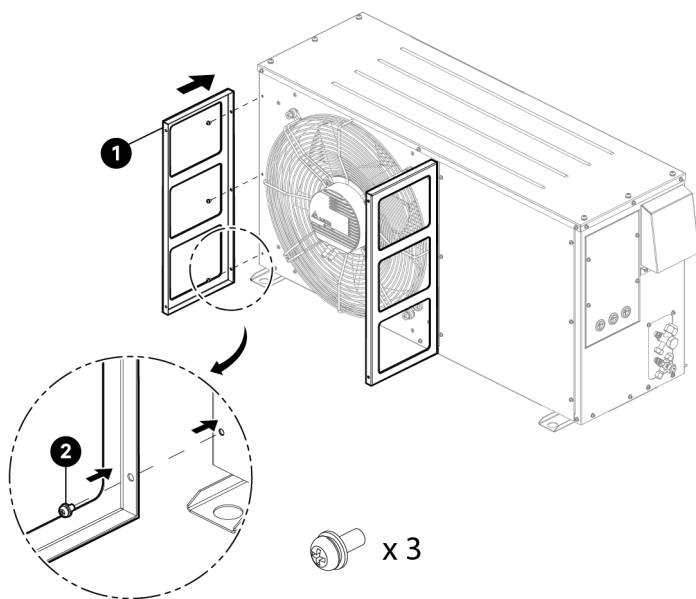
1. The six M4 screws needed are already attached on the Condensing Unit, in the location shown below. Remove them before the wind baffle installation.



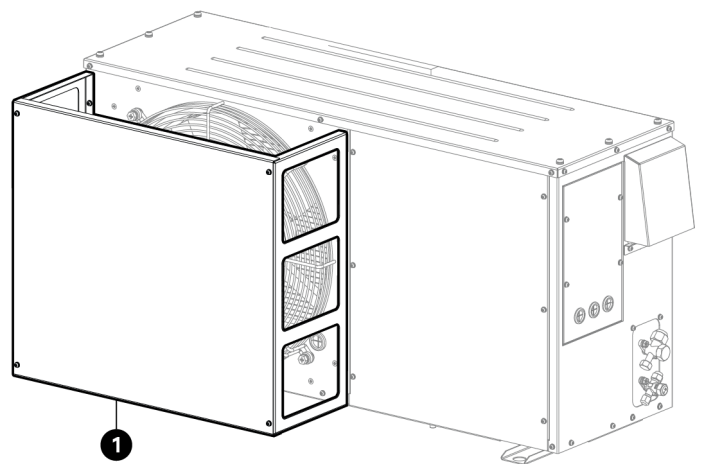
3. Once the side pieces are assembled, take the front panel (1) and attach it using the four M4 screws (2) contained in the kit and secure them with a screwdriver.



2. From the front view near the fan placement, locate the corresponding screw location that matches with the holes of the panel, then attach both side panels (1) using the three M4 screws (2) on each one.



4. After attaching and securing the Wind Baffle (1), proceed with the Unit installation process indicated in the User Manual.



Vertiv™ Wind Baffle Kit for CoolPhase Condensing Unit of 3.5, 7 and 11 kW



For Part Numbers: CUWINDKIT-03, CUWINDKIT-07 and CUWINDKIT-11.

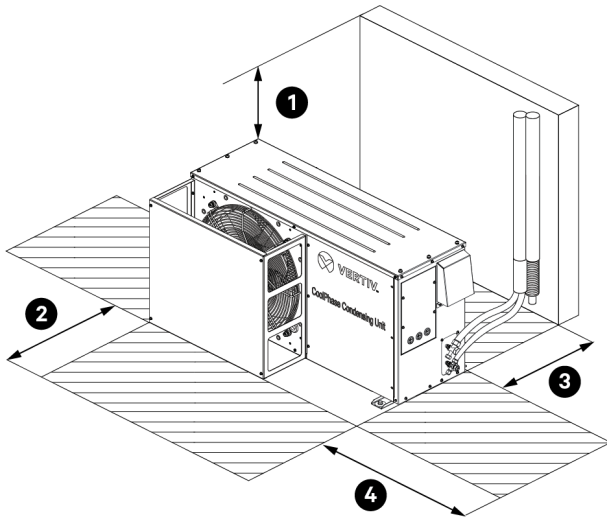
Quick Installation Guide

Installation Considerations

Clearance requirements

The following guidelines are needed to ensure optimal airflow, performance and maintenance to the unit while having the Wind Baffle installed:

- 1- Top: 11.8 in (300 mm) Minimum distance
- 2- Front: 23.6 in (600 mm) Minimum distance
- 3- Back: 11.8 in (300 mm) Minimum distance
- 4- Sides: 23.6 in (600 mm) Minimum distance



NOTE: When equipped with the Wind Baffle Kit, the maximum ambient air temperature is 118.4°F (48°C), but the cooling capacity will be reduced by 1.5% in high ambient temperatures.

NOTE: If both the hail guard and wind baffle kit are installed, the maximum ambient air temperature is 118.4°F (48°C), but cooling capacity will decrease by approximately 3.5% in high ambient temperatures.



To contact Vertiv Technical Support: visit www.Vertiv.com

© 2025 Vertiv Group Corp. All rights reserved. Vertiv™ and the Vertiv logo are trademarks or registered trademarks of Vertiv Group Corp. All other names and logos referred to are trade names, trademarks or registered trademarks of their respective owners. While every precaution has been taken to ensure accuracy and completeness here, Vertiv Group Corp. assumes no responsibility, and disclaims all liability, for damages resulting from use of this information or for any errors or omissions.

